

High performance at low light levels



High Resolution Low Light Camera

SCB-2001

The SCB-2001 delivers 600 TV lines resolution and low light performance to 0.05 lux of minimum illumination, providing clear images in demanding conditions. The A1 DSP chipset at its core provides a host of advanced features, such as integrated IR cut-filter (ICR) for true day/night performance and intelligent video functions. Camera set-up can be achieved via RS-485 and coaxial control compatibility (SEC) is included. The SCB-2001 is the ideal choice of camera for a wide range of applications that require superb quality and flexibility.

- High resolution of 600 TV Lines
- Min. illumination of 0.05Lux (F1.2, Color)
- Day & Night (ICR)
- Coaxial (SEC) & RS-485 control
- Intelligent video (Moved / Fixed / Fence / Area / Tracking)

High Resolution Low Light Camera

SCB-2001

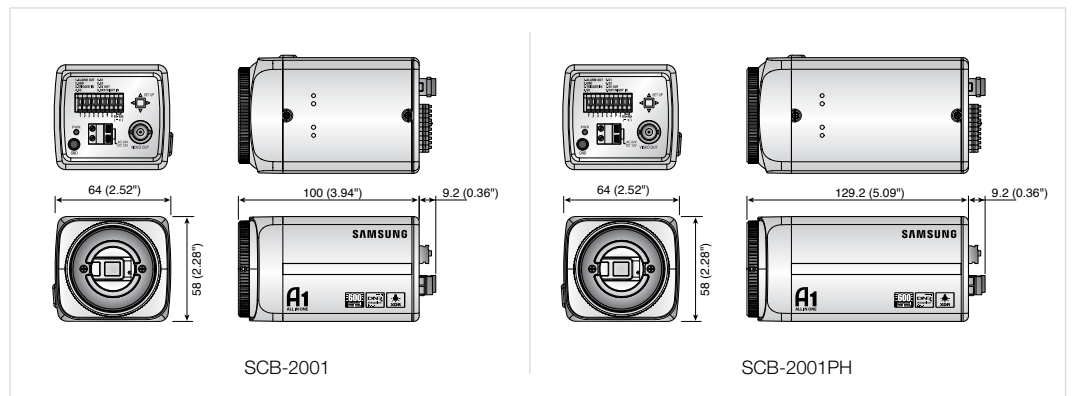


Specifications

	SCB-2001N	SCB-2001P	SCB-2001PH
ELECTRICAL			
Input Voltage	Dual (12V DC/ 24V AC)		230V AC
Power Consumption	Max. 4.0W		
VIDEO			
Imaging Device	1/3" Super HAD CCD		
Total Pixels	811(H) x 508(V)	795(H) x 596(V)	
Effective Pixels	768(H) x 494(V)	752(H) x 582(V)	
Scanning System	2 : 1 Interface		
Synchronization	Internal / Line lock		
Frequency	H : 15.734KHz / V : 59.94Hz		H : 15.625KHz / V : 50Hz
Horizontal Resolution	Color : 600TV lines (Min.) / B/W : 700TV lines (Min.)		
Min. Illumination	Color : 0.05Lux (50IRE@F1.2), 0.0001Lux (Sens-up, 512x) B/W : 0.005Lux (50IRE@F1.2)		
S / N (Y signal)	52dB (AGC off, Weight on)		
Video Output	CVBS : 1.0 Vp-p / 75Ω composite		
OPERATIONAL			
On Screen Display	English, Japanese, Spanish, French, Portuguese, Korean	English, French, German, Spanish, Italian, Chinese, Russian, Polish, Czech, Danish, Turkish	
Camera Title	On / Off (Max. 54ea / 2 lines)		
Day & Night	Auto (ICR) / Extern / Color / B/W		
Digital Noise Reduction	On / Off		
Backlight Compensation	BLC (On / Off)		
eXtended Dynamic Range	Low / Medium / High / Off		
Digital Image Stabilization	On / Off		
Privacy Masking	On / Off (12 polygonal programmable zones)		
2D+3D Noise Filter (A1)	Off / Very low / Low / Medium / High / Very high / User / Fix		
Sens-up (Frame Integration)	On / Off (Selectable limit - 512x)		
Gain Control	Low / High / Off		
White Balance	ATW1 / ATW2 / AWC (Manual) / 3200°K / 5600°K		
Electronic Shutter Speed	1/60 ~ 1/10,000sec	1/50 ~ 1/10,000sec	
Digital Zoom	On / Off (2x ~ 16x)		
Intelligent Video	On / Off (Moved / Fixed / Fence / Area / Tracking)		
PIP	On / Off		
Communication Protocol	RS-485, Coaxial (SEC) control Samsung-T, Samsung-E, Pelco-D, Pelco-P, Bosch, Honeywell, Vicon, Panasonic		
ENVIRONMENTAL			
Operating Temperature / Humidity	-10°C ~ +50°C (+14°F ~ +122°F) / 30% ~ 90% RH		
Storage Temperature / Humidity	-20°C ~ +60°C (-4°F ~ +140°F) / 30% ~ 90% RH		
MECHANICAL			
Dimension (WxHxD)	64 x 58 x 109.2mm (2.52" x 2.28" x 4.3")		64 x 58 x 129.2mm (2.52" x 2.28" x 5.09")
Weight	305g (0.67 lb)		530g (1.17 lb)
Lens Mount	C / CS		
LED Indicator	Built-in		
Certifications	FCC (Class A), UL (External power supply)		CE (Class A)

Dimensions

Unit : mm (inch)



The Eco mark represents Samsung Techwin's will to create environment-friendly products, and indicates that the product satisfies the EU RoHS Directive.

Design and specifications are subject to change without notice.



SAMSUNG TECHWIN CO., LTD.

701, Sampyeong-dong, Bundang-gu, Seongnam-si, Gyeonggi-do Korea 463-400
Tel : +82-70-7147-8741~8749, 8752-8760 Fax : +82-31-8018-3745
www.samsungsecurity.com www.samsungcctv.com

SAMSUNG TECHWIN AMERICA Inc.
1480 Charles Willard St. Carson, CA 90746, UNITED STATES
Tel Free : +1-877-213-1222 Fax : +1-310-632-2195
www.samsungcctvusa.com

SAMSUNG TECHWIN EUROPE LTD.
Samsung House, 1000 Hillwood Drive, Hillwood Business Park
Chertsey, Surrey, UNITED KINGDOM KT16 0PS
Tel : +44-1932-45-5300 Fax : +44-1932-45-5325

TIANJIN SAMSUNG TECHWIN OPTO-ELECTRONICS CO., LTD.
No.11 Wei 6 Street, Micro-Electronic Industrial Park
Jingang Road, Tianjin, P.R. CHINA 300385
Tel : +86-22-23887788 Fax : +86-22-23887788

■ DISTRIBUTED BY

